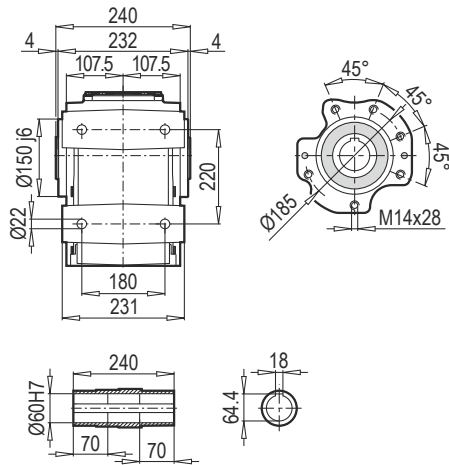
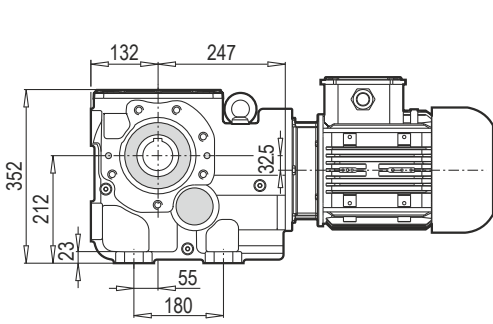
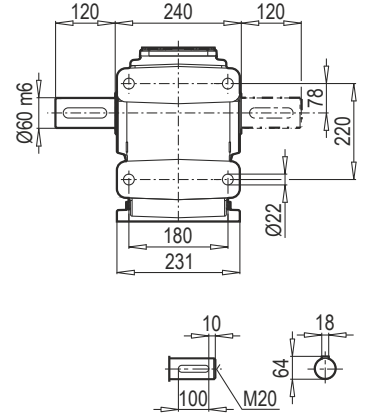


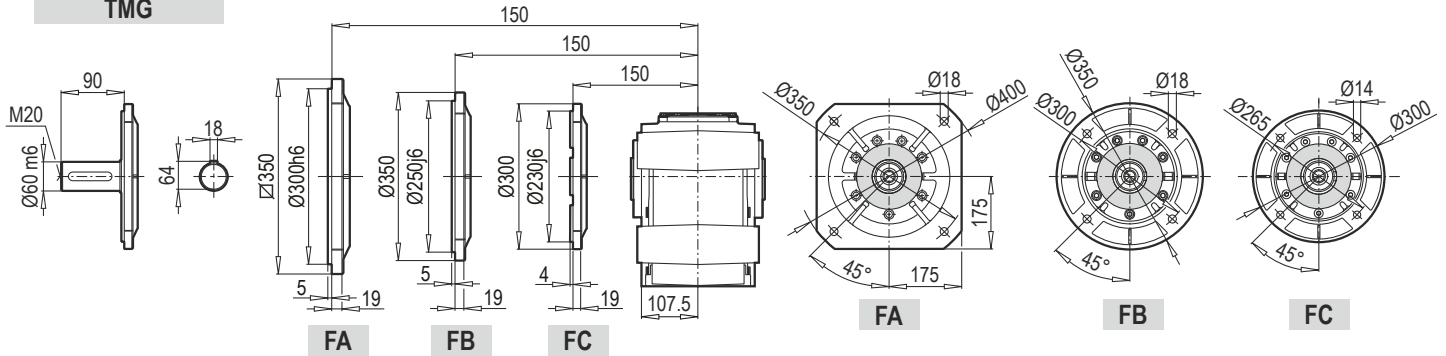
**K 60390**



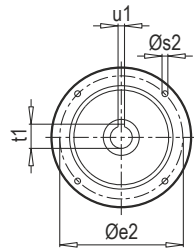
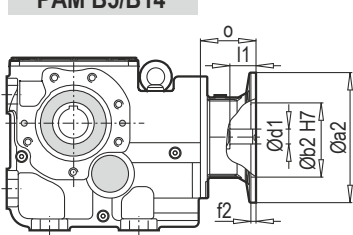
**TMA - CMA**



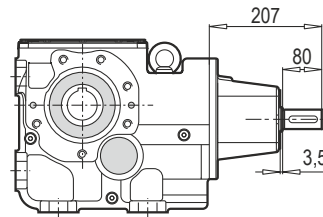
**TMG**



**PAM B5/B14**



**W**



| W ~     |    |
|---------|----|
| K 60390 | 89 |

| Редуктор | PAM B5 | Øa2 | Øb2 | Øe2 | f2  | Øs2 | Ød1 | l1  | t1   | u1 | o   |
|----------|--------|-----|-----|-----|-----|-----|-----|-----|------|----|-----|
| K 60390  | 90     | 200 | 130 | 165 | 5   | 10  | 24  | 52  | 27.3 | 8  | 61  |
|          | 100    | 250 | 180 | 215 | 5.5 | 12  | 28  | 62  | 31.3 | 8  | 76  |
|          | 112    | 250 | 180 | 215 | 5.5 | 12  | 28  | 62  | 31.3 | 8  | 76  |
|          | 132    | 300 | 230 | 265 | 5.5 | 12  | 38  | 82  | 41.3 | 10 | 101 |
|          | 160    | 350 | 250 | 300 | 7   | 16  | 42  | 112 | 45.3 | 12 | 148 |
|          | 180    | 350 | 250 | 300 | 7   | 16  | 48  | 112 | 51.8 | 14 | 148 |

| ~      |         |
|--------|---------|
| PAM B5 | K 60390 |
| 90     | 80      |
| 100    | 84      |
| 112    | 84      |
| 132    | 87      |
| 160    | 93      |
| 180    | 93      |

| Редуктор | PAM B14 | Øa2 | Øb2 | Øe2 | f2  | Øs2 | Ød1 | l1 | t1   | u1 | o   |
|----------|---------|-----|-----|-----|-----|-----|-----|----|------|----|-----|
| K 60390  | 90      | 140 | 95  | 115 | 3   | 9   | 24  | 52 | 27.3 | 8  | 61  |
|          | 100     | 160 | 110 | 130 | 3.5 | 9   | 28  | 62 | 31.3 | 8  | 76  |
|          | 112     | 160 | 110 | 130 | 3.5 | 9   | 28  | 62 | 31.3 | 8  | 76  |
|          | 132     | 200 | 130 | 165 | 3.5 | 11  | 38  | 82 | 41.3 | 10 | 101 |

| ~       |         |
|---------|---------|
| PAM B14 | K 60390 |
| 90      | 77      |
| 100     | 79      |
| 112     | 79      |
| 132     | 85      |

| Редуктор   | i      | 4- пол.<br>50 Гц<br>1400 об/МИН<br>n <sub>2</sub> [ об/МИН] | M <sub>a</sub> макс<br>f <sub>B</sub> =1<br>4 - пол.<br>[ Н м] | P <sub>1</sub> макс W f <sub>B</sub> ≥ |             |                 | PAM - IEC          |    |     |     |     |     |     |
|--|--------|---|--|--|-------------|-----------------|--------------------|----|-----|-----|-----|-----|-----|
|  |        |   |  | 4 - пол.<br>1400 об/МИН<br>[ кВт]      | FR1<br>[кН] | FR2 (M)<br>[кН] | FR2 (D,KS)<br>[кН] |    |     |     |     |     |     |
| <b>K60390</b><br><br>W<br>1<br>+<br><b>PAM - IEC</b><br>W<br>1 | 183.08 | 7.6   | 3500   | 3.11                                   | 3.9         | 30.0            | 14.8               | 90 | 100 | 112 | 132 |     |     |
|  | 162.63 | 8.6   | 3500   | 3.51                                   | 3.8         | 30.0            | 14.0               | 90 | 100 | 112 | 132 |     |     |
|  | 146.59 | 9.6   | 3500   | 3.89                                   | 3.8         | 30.0            | 13.4               | 90 | 100 | 112 | 132 |     |     |
|  | 131.96 | 10.6  | 3500   | 4.32                                   | 3.8         | 30.0            | 12.8               | 90 | 100 | 112 | 132 |     |     |
|  | 121.39 | 11.5  | 3500   | 4.70                                   | 3.8         | 30.0            | 12.3               | 90 | 100 | 112 | 132 |     |     |
|  | 108.31 | 12.9  | 3500   | 5.26                                   | 3.8         | 30.0            | 11.7               | 90 | 100 | 112 | 132 |     |     |
|  | 101.29 | 13.8  | 3500   | 5.63                                   | 3.7         | 30.0            | 11.3               |    | 100 | 112 | 132 | 160 | 180 |
|  | 91.30  | 15.3  | 3500   | 6.24                                   | 3.7         | 30.0            | 10.8               |    | 100 | 112 | 132 | 160 | 180 |
|  | 81.18  | 17.2  | 3500   | 7.02                                   | 3.7         | 30.0            | 10.2               | 90 | 100 | 112 | 132 |     |     |
|  | 75.60  | 18.5  | 3500   | 7.54                                   | 3.6         | 30.0            | 9.9                |    | 100 | 112 | 132 | 160 | 180 |
|  | 70.62  | 19.8  | 3300   | 7.61                                   | 3.6         | 30.0            | 9.8                |    | 100 | 112 | 132 | 160 | 180 |
|  | 63.65  | 22.0  | 3300   | 8.44                                   | 3.6         | 30.0            | 9.3                |    | 100 | 112 | 132 | 160 | 180 |
|  | 60.34  | 23.2  | 3200   | 8.64                                   | 3.6         | 30.0            | 9.2                |    | 100 | 112 | 132 | 160 | 180 |
|  | 55.28  | 25.3  | 3200   | 9.43                                   | 3.6         | 30.0            | 8.8                |    | 100 | 112 | 132 | 160 | 180 |
|  | 50.56  | 27.7  | 3200   | 10.31                                  | 3.5         | 29.6            | 8.5                |    | 100 | 112 | 132 | 160 | 180 |
|  | 45.57  | 30.7  | 3000   | 10.72                                  | 3.5         | 29.0            | 8.3                |    | 100 | 112 | 132 | 160 | 180 |
|  | 41.26  | 33.9  | 2800   | 11.05                                  | 3.5         | 28.5            | 8.2                |    | 100 | 112 | 132 | 160 | 180 |
|  | 35.25  | 39.7  | 2800   | 12.94                                  | 3.4         | 26.5            | 7.6                |    | 100 | 112 | 132 | 160 | 180 |
|  | 31.77  | 44.1  | 2800   | 14.36                                  | 3.3         | 25.1            | 7.2                |    | 100 | 112 | 132 | 160 | 180 |
|  | 31.39  | 44.6  | 2800   | 14.53                                  | 3.3         | 24.9            | 7.1                |    |     |     | 132 | 160 | 180 |
|  | 28.11  | 49.8  | 2800   | 16.22                                  | 3.2         | 23.6            | 6.7                |    |     |     | 132 | 160 | 180 |
|  | 26.31  | 53.2  | 2800   | 17.33                                  | 3.2         | 22.8            | 6.5                |    | 100 | 112 | 132 | 160 | 180 |
|  | 23.27  | 60.2  | 2800   | 19.60                                  | 3.1         | 21.4            | 6.1                |    |     |     | 132 | 160 | 180 |
|  | 21.00  | 66.7  | 2500   | 19.39                                  | 3.1         | 21.6            | 6.2                |    |     |     | 132 | 160 | 180 |
|  | 18.92  | 74.0  | 2200   | 18.94                                  | 3.1         | 21.9            | 6.3                |    |     |     | 132 | 160 | 180 |
|  | 15.67  | 89.3  | 2100   | 21.83                                  | 3.0         | 20.4            | 5.8                |    |     |     | 132 | 160 | 180 |
|  | 14.15  | 98.9  | 2100   | 24.17                                  | 2.8         | 19.4            | 5.5                |    |     |     | 132 | 160 | 180 |
|  | 12.75  | 109.8   | 2000   | 25.55                                  | 2.8         | 18.9            | 5.4                |    |     |     | 132 | 160 | 180 |
|  | 10.56  | 132.6   | 2000   | 30.85                                  | 2.5         | 17.2            | 4.9                |    |     |     | 132 | 160 | 180 |
|  | 9.63   | 145.4   | 1800   | 30.45                                  | 2.6         | 17.5            | 5.0                |    |     |     | 132 | 160 | 180 |
| 7.97   | 175.8  | 1500  | 30.66  | 2.6                                    | 17.3        | 4.9             |                    |    |     | 132 | 160 | 180 |     |